



SM50G Gravity Meter Specifications Sheet

SAMPI SM50G gravity positive displacement flow meter is a high-precision instrument suitable for measuring petrochemical products and designed to be installed on truck with gravity supply system.

The new version's features are: very low pressure drop, very high precision measuring for every flow rate, an efficient air elimination system with security supply-stop in the presence of air in the product (thanks to LC Sound), a new design that permit a very simple installation and a two-stage VP pneumatic valve.



Performance

Temperature range	Viscosity
°C (°F)	@ 20°C (68°F)
-25 to 55 (-13 to 131)	Up to 20 mPa·s

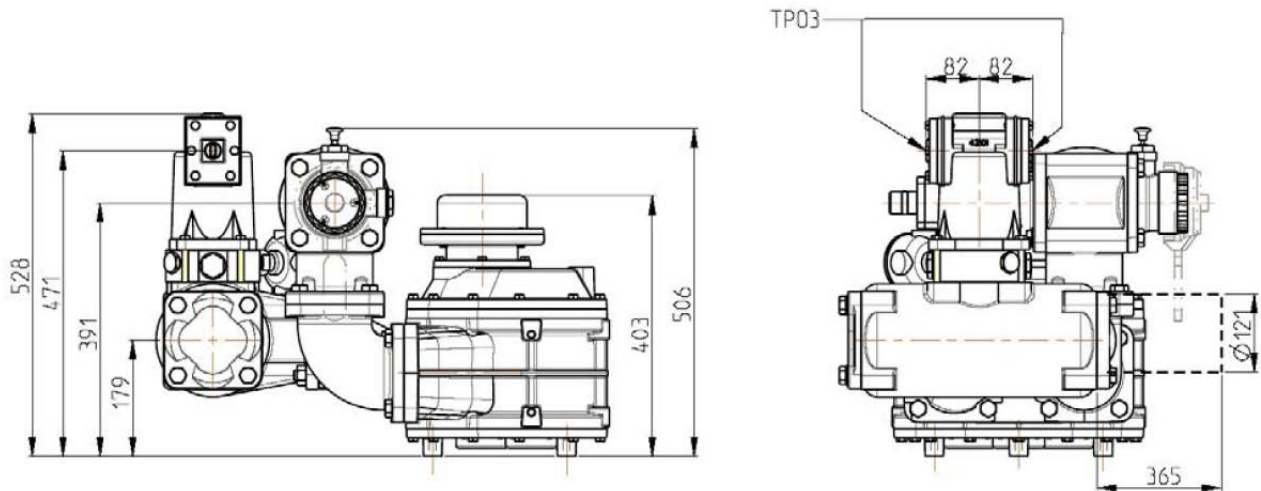
Features

Flange size	Max nom. Flow rate	Working pressure	Weight conf. "T"
Inches	l/min (GPM)	Bar (PSI)	Kg (lbs)
3 or 4	1000 (264)	0,5 (7,25)	65 (143)

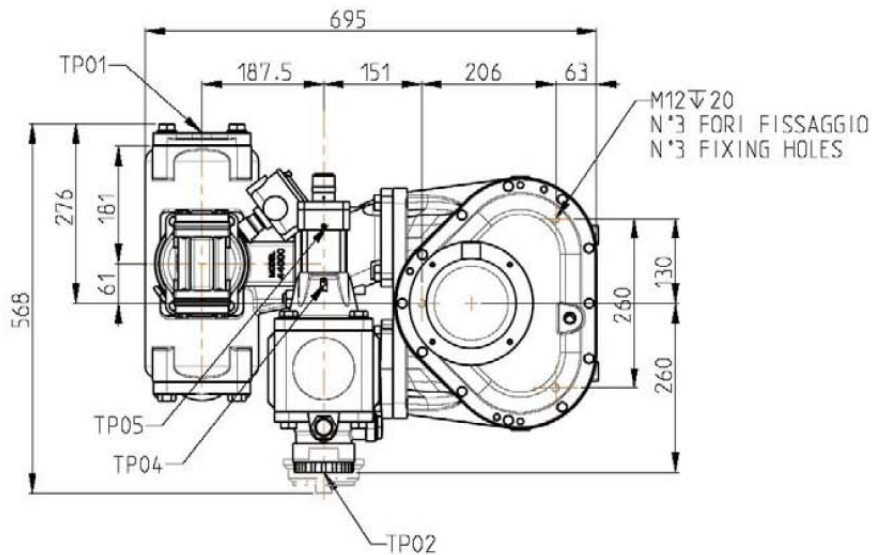
Materials

Class	Body	Rotors	Vanes	Gaskets
1	Anodized aluminium	Hard anodized aluminium	Anodized aluminium	Buna-Viton
2	Anodized aluminium	Hard anodized aluminium	Anodized aluminium	Buna-Viton
6	Hard anodized aluminium	Hard anodized aluminium	Hard anodized aluminium	Viton-Teflon

Dimensions



SC 1:10



TP	Size	Rating	Service
01	4"	PN10 square s.w. flange	Inlet
02	3"	Quick coupler	Outlet
03	¾"	NPT	Vent
04	¼"	Rp ISO 7	High flow stage
05	¼"	Rp ISO 7	Low flow stage



SAMPI spa
 A unit of IDEX Corporation
 Via Amerigo Vespucci, 1
 55011 Altopascio (Lucca) – Italy
 Phone: +39 0583 24751
 Fax: +39 0583 264748
 www.sampi.it