



# Pulse Output Device (POD) Specifications Sheet

The SAMPI Pulse Output Device (POD) converts the rotary motion of the Positive Displacement Flow Meter into electronic pulses. This allows the meter to interface with a wide variety of electronic monitoring devices and control equipment. The POD mounts directly to the front cover of any SAMPI/LC meter in place of the packing gland. The motion of the meter's blocking rotor is magnetically coupled through a stainless steel wall to the electronics compartment of the POD. This eliminates the dynamic seal of the packing gland and isolates the electronics from the process fluid in the meter.



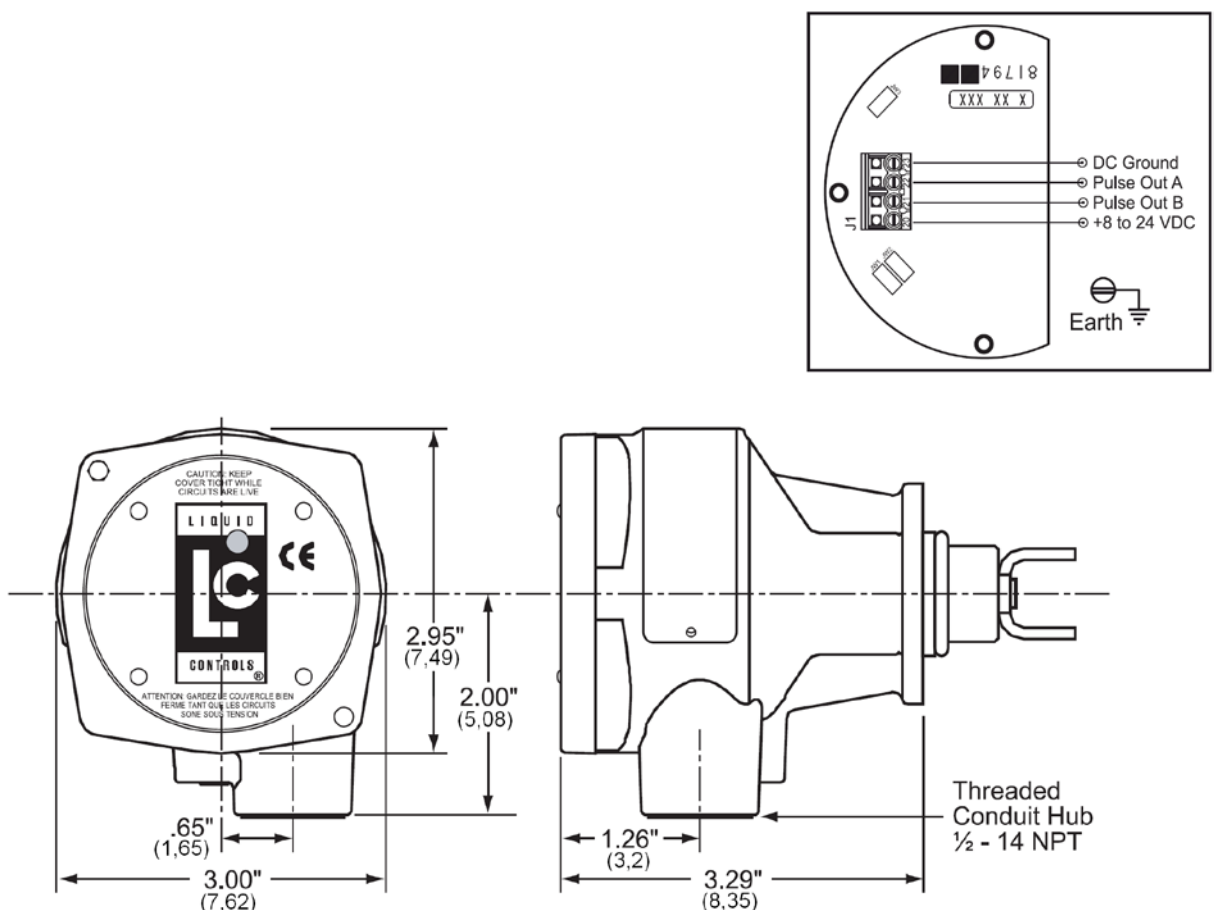
## Features

Glandless Drive	-No dynamic seals to fail or leak -Meets current environmental standards
Pulse Output	-The unscaled output easily adapts to remote totalizers, batch controllers, computers, PLC's and other pulse receiving devices -No amplifier or signal conditioner is required
Materials	All wetted parts are in 316 stainless steel or equivalent
Weight & Measures Requirements	Housing cover has a ready made location for lead wire seal
Pressure Rating	Process wetted portion carries 24 bar (350 PSI) working pressure rating. Burst pressure exceeds 121 bar (1750 PSI)
Explosion Proof Rating	II 2G Eexd II B T6, LCIE04ATEX6033
Connections	½" NPT conduit port with a removable screw terminal block for all connections

## Specifications

<b>Voltage</b>	(V+): +8 to +24 Vdc (POD5 is +5 Vdc) $\pm 5\%$
<b>Current Supply</b>	26 mA typical
<b>Output Signal Resolution</b>	100 pulses per encoder revolution, unscaled
<b>Square Wave</b>	Single or dual quadrature channel output
<b>Pulse Timing</b>	Nominal 50% on and 50% off
<b>Operating Temperature Range</b>	-40°C to 85°C (-40°F to 185°F)
<b>Output</b>	Current sinking 100 mA maximum in "ON" state; V+ supply @ 1.0 K $\Omega$ in "OFF" state
<b>Optional Open Drain FET (Field Effect Transistor). FET Rating (Drain to Source Voltage)</b>	+30 Vdc maximum
<b>Electromagnetic Compatibility</b>	To IEC 801 standard

## Dimensions



**NOTE:** Dimensions shown are not for construction use. Consult factory when certified Engineering Drawings are required.



**SAMPI spa**

A unit of IDEX Corporation  
Via Amerigo Vespucci, 1  
55011 Altopascio (Lucca) – Italy  
Phone: +39 0583 24751  
Fax: +39 0583 264748  
www.sampli.it