



LC Sound Specifications Sheet

The LC Sound is an ultrasonic air sensor, available with 2", 3", 4" square flange. It continuously monitors the presence of air/gas in a delivery, and upon detection of gas the output relay is opened. The typical application uses the output contact to control valve, pump or can be connected to a smart device. The technology guarantees accurate deliveries with no pressure drop, both in terminal and truck installations. The sensor uses an ultrasonic transceiver to transmit a high frequency pulse: the signal reaches the reflector placed on the other side of the flange and then comes back to the transceiver. The signal amplitude level is proportional to the presence of liquid: if air is detected, the output relay is opened.



Features

- Fast response time (50 ms)
- Auto-calibration
- No periodic maintenance needed
- No moving parts
- Low weight
- Small dimensions give a neat to simple installation
- Negligible pressure drop resulting in quick and economical deliveries
- Eliminates the need of an "Air-check" valve after the meter (in the meter version with n° 2 LC Sounds)
- Can react to emulsified air in the delivery (foam detect)
- Works with petroleum based products

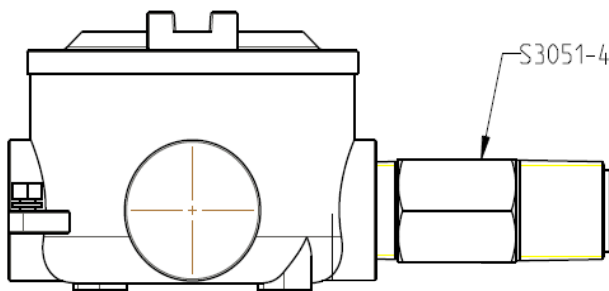
Certifications

- Electromagnetic compatibility EMC 89/336/CEE and successive laws
- Explosive atmospheres ATEX 94/9/CE
- Recommendations OIML (International Organization for Legal Metrology) R 117

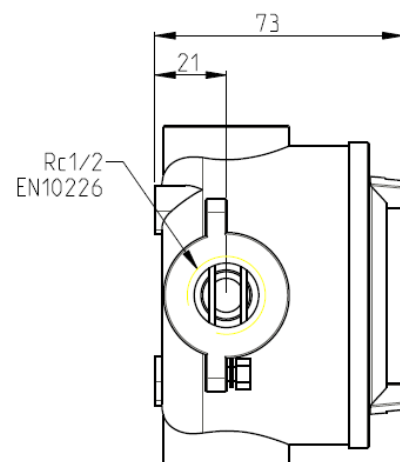
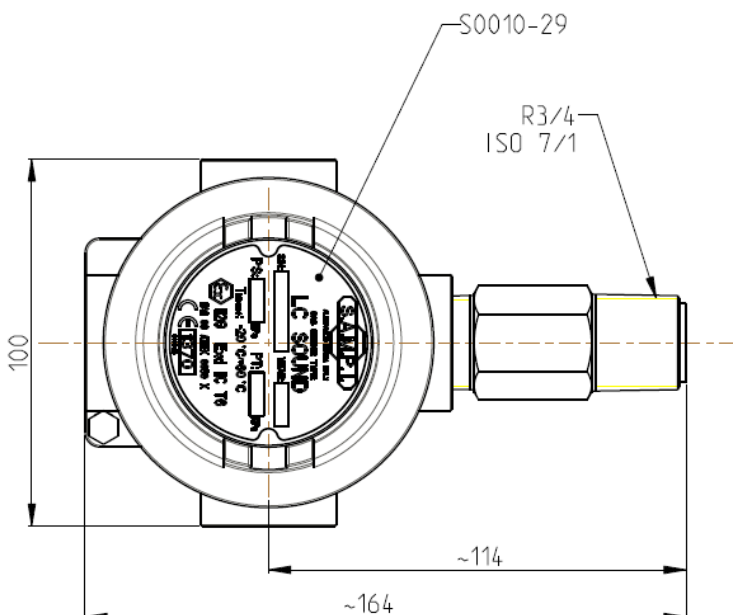
Specifications

Power supply	10-30 Vdc
Power consumption	< 1W
Degree of protection	IP67
ATEX certification	Eexd II C T6
Storage temperature	-40°C to 85°C (-40°F to 185 °F)
Operating temperature	-20°C to 60°C (-4°F to 140°F)
Output	1 output relay E.M. (max 250V, 2°)
Intervention time	50 ms
Material	Aluminium alloy
Weight	1 kg (2.20 lbs)

Dimensions



Pipe Diameter	Extended Ultrasonic Reflector Length	Part. No.
2"	0 mm	S3050-4
3"	0 mm	S3050-4
4"	0 mm	S3050-4
6"	48 mm	S3050-12
8"	99 mm	S3050-13
10"	150 mm	S3050-14
12"	201 mm	S3050-15
14"	252 mm	S3050-16
16"	302 mm	S3050-17



SAMPI spa

A unit of IDEX Corporation
Via Amerigo Vespucci, 1
55011 Altopascio (Lucca) – Italy
Phone: +39 0583 24751
Fax: +39 0583 264748
www.sampli.it