

# TE550 Electronic Register (Truck Version) Specifications Sheet

The TE550 Electronic Register is the latest state of the art, fully programmable electronic register capable to drive any meter giving a pulse signal, either for direct or remote mounting, especially designed for both terminal and truck.

TE550 is a freely programmable, flexible, powerful and intelligent loading system, designed to match the requirements of loading systems in petroleum, chemical and petrochemical industry.

TE550 is designed to comply with international metrology approvals, especially with the OIML R117 standards, European ATEX Ex-d [ia] IIB T4 approval for hazardous areas and Measuring Instruments Directive (MID).

TE550 includes all the flow measurements and controls functions expected in the most advanced loading systems.



## ***LKI specifications***

Calculated accuracy	Temperature accuracy	Ambient operating temperature	Humidity
The gross standard volume accuracy matches the OIML R117 class 05 instrument requirements	$\pm 0.3^{\circ}\text{C}$ from $-25^{\circ}\text{C}$ to $65^{\circ}\text{C}$ ( $\pm 0,5^{\circ}\text{F}$ from $-13^{\circ}\text{F}$ to $149^{\circ}\text{F}$ )	$-25^{\circ}\text{C}$ to $55^{\circ}\text{C}$ ( $-13^{\circ}\text{F}$ to $131^{\circ}\text{F}$ )	5% to 95% with condensation

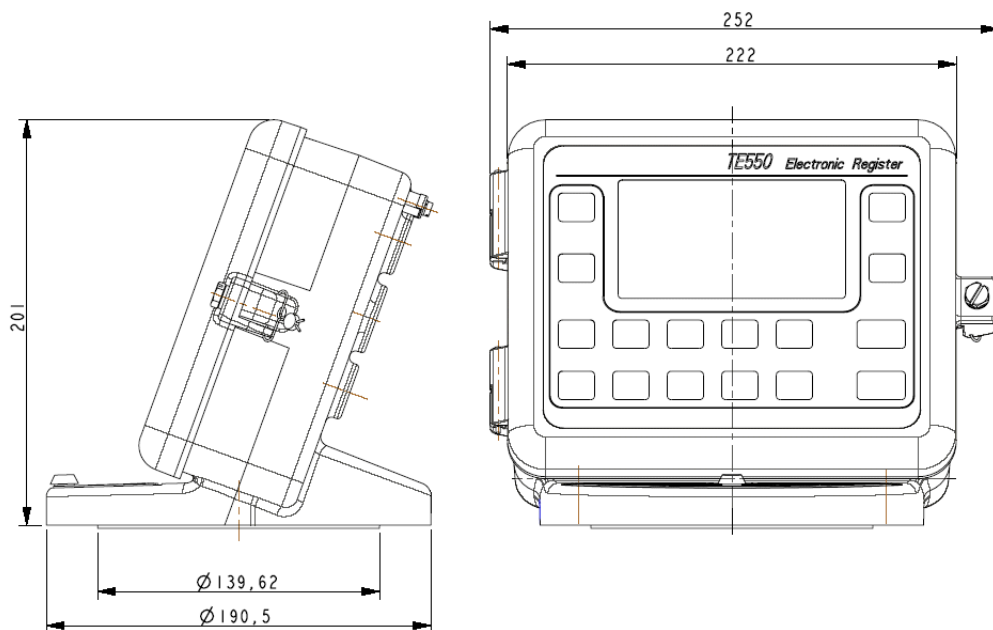
## ***Other features***

- TE550 is provided with a self-powered system so counting can be also carried out without the truck battery power
- It can be carried out the tankers tracking from a terminal to see where, when and how much product has been supplied
- Accurate flow measurement, including pulses verification
- Ten point calibration feature for near-perfect accuracy across entire flow range with all kind of PD or gravity meter
- Temperature volume compensation
- Volume correction to API tables for the most of the petroleum products and to Metric or US standards
- Total or partial control of each valve
- Electronic printer for delivery report and events print
- Memorization and report of all the main operations of the register
- Easy to install

## Specifications

<b>Graphic display</b>	LCD 240x128 px with backlighting by a white LED matrix
<b>Visible area</b>	112x62 mm (5")
<b>Keyboard</b>	16 keys in fireproof polyester
<b>Power delivery</b>	12 Vdc intrinsically safe barrier
<b>Power consumption</b>	< 1W
<b>Degree of protection</b>	IP66
<b>ATEX certification</b>	EEX ia IIB T4
<b>Operating temperature</b>	-25°C to 55°C (-13°F to 131°F)
<b>Communication</b>	RS485
<b>Baud rate</b>	From 38400 to 57600
<b>Dimensions</b>	L. 222,30 mm (8.75 in) W. 200,86 mm (7.91 in) P. 190,50 mm (7.50 in)
<b>Weight</b>	3 kg (6.61 lbs)
<b>Material</b>	Aluminium alloy
<b>Color</b>	Blue

## Dimensions



**SAMPI spa**

A unit of IDEX Corporation  
Via Amerigo Vespucci, 1  
55011 Altopascio (Lucca) – Italy  
Phone: +39 0583 24751  
Fax: +39 0583 264748  
www.sampi.it