



Overview

SYSTEMS



AZIENDA CON SISTEMA QUALITÀ
CERTIFICATO DA DNV
=UNI EN ISO 9001/2000=

Warning:

This Catalogue is a confidential document of S.A.M.P.I. S.p.A.

Unauthorized reproduction, transfer and publication – even partial – of this Catalogue are forbidden.

S.A.M.P.I. S.p.a. reserves the right to modify the content of this Catalogue at any time and without notice.

General Description

SAMPI/LCE is able to provide a wide set of systems for a lot of applications. Standard systems provided by SAMPI/LCE consist of dispensers for the refuelling of boats in marinas, public transportation vehicles, military vehicles and aircraft, over and under-wing. Moreover SAMPI/LCE produces complete systems made up of pump, meter and hose for any use, also in a trolley version, and 4-wheeled drums refuellers for solvents and industrial fluids with completely automatic preset batch deliveries by means of the electronic register counting management. SAMPI/LCE has the flexibility to suit any specification a customer may require.

SAMPI/LCE manufactures a wide range of refuelling dispensers from 200 to 700 litres per minute. They are basically built with our flow-meters and pumps contained inside a strong stainless or treated steel cabinet with a wide range of accessories such as hose reels, filter-water, separator, extra by-pass for double flow-rates, mechanical and electronic read out, pulser, etc.

Main applications:

- Boat refuelling in marinas.
- Public transportations vehicles.
- Big truck fleets.
- Trains.
- Military vehicles.
- Light aircraft for over-wing refuelling.
- Light aircraft for under-wing refuelling.



SAMPI/LCE is able to produce metering and pumping skids on customer request. This configuration makes the installation easier and faster, optimizing the available room. It's also available a special transformation kit that permit to create a 4-wheeled version.



Moreover SAMPI produces 4-wheeled drums refuellers for solvents and industrial fluids, with variable batch delivery that can be fully automatically preset thanks to the electronic register management of the outlet valve.

Refuelling Dispenser Specifications

Model	Code	Flowrate max. l/min (Gpm)	Pump	H.P.	Meter	Hose inner Ø (mm)	Hose length (m)	Use
MA200-C	1900503	150/200 (40/53)	RVP20	2	SM-7/C	32	5	Overland
MA-200-C	FD_20_C_00	200 (53)	RVP20	2	SM-7/C	32	5	Marina
MA-200-K	FD_20_K_00	200 (53)	RVP20	2	SM-7/K	32	5	Marina
MA-300-C	FD_30_C_00	300 (79)	RVP25	3	SM-7/C	45	5	Marina
MA-300-K	FD_30_K_00	300 (79)	RVP25	3	SM-7/K	45	5	Marina
MA-500-C	FD_50_C_00	500 (132)	RVP25	5,5	SM-7/C	50	5	Marina
MA-500-K	FD_50_K_00	500 (132)	RVP25	5,5	SM-7/K	50	5	Marina
MA-700-C	FD_70_C_00	700 (185)	RVP30	7,5	SM-15/C	60	5	Marina
MA-700-K	FD_70_K_00	700 (185)	RVP30	7,5	SM-15/K	60	5	Marina
MA-200-RC	FD_20RC_00	200 (53)	RVP20	2	SM-7/C	32	30	Marina
MA-200-RK	FD_20RK_00	200 (53)	RVP20	2	SM-7/K	32	30	Marina
MA-300-RC	FD_30RC_00	300 (79)	RVP25	3	SM-7/C	45	30	Marina
MA-300-RK	FD_30RK_00	300 (79)	RVP25	3	SM-7/K	45	30	Marina
MA-500-RC	FD_50RC_00	500 (132)	RVP25	5,5	SM-7/C	50	25	Marina
MA-500-RK	FD_50RK_00	500 (132)	RVP25	5,5	SM-7/K	50	25	Marina
MA-200-SG-C	FD_20SGC00	200 (53)	-	-	SM-7/C	32	30	Marina
MA-200-SG-K	FD_20SGK00	200 (53)	-	-	SM-7/K	32	30	Marina
MA-300-SG-C	FD_30SGC00	300 (79)	-	-	SM-7/C	45	20	Marina
MA-300-SG-K	FD_30SGK00	300 (79)	-	-	SM-7/K	45	20	Marina
MA-500-SG-C	FD_50SGC00	500 (132)	-	-	SM-7/C	50	20	Marina
MA-500-SG-K	FD_50SGK00	500 (132)	-	-	SM-7/K	50	20	Marina
MA200C-AVIO	FD_20AVC00	200 (53)	RVP20	2	SM-7/C	32	30	Aviation
MA200K-AVIO	FD_20AVK00	200 (53)	RVP20	2	SM-7/K	32	30	Aviation
MA300C-AVIO	FD_30AVC00	300 (79)	RVP25	3	SM-7/C	38	20	Aviation
MA300K-AVIO	FD_30AVK00	300 (79)	RVP25	3	SM-7/K	38	20	Aviation

Features

Features of Overland standard version:

- Motor pump.
- Cabinet in carbon steel.
- No electric lighting.
- No reel.
- IP55 execution.

Features of Marina (C, K) standard version:

- Motor pump.
- No reel.
- Cabinet in painted steel.
- No electric lighting.
- Nozzle mod. 980 (for MA200 and MA300), mod. SCULLY 2" (for MA500).
- Motor pump start-stop electric board.
- IP55 execution (ATEX Ex II 2G upon request).

Features of Marina (RC, RK) standard version:

- Motor pump.
- Hose reel with manual rewind.
- Stainless Steel cabinet.
- No electric lighting.
- Nozzle mod. 980 (for MA200 and MA300), mod. SCULLY 2" (for MA500).
- Motor pump start-stop electric board.
- IP55 execution (ATEX Ex II 2G upon request).

Features of Marina (SG-C, SG-K) standard version:

- No motor pump.
- Hose reel with manual rewind.
- Stainless Steel cabinet.
- No electric lighting.
- Nozzle mod. 980 and swivel (for MA200 and MA300), mod. SCULLY 2" and swivel (for MA500).
- Remote START/STOP switchboard with light.
- IP55 execution (ATEX Ex II 2G upon request).

Features of Aviation (RC-AVIO, RK-AVIO) standard version:

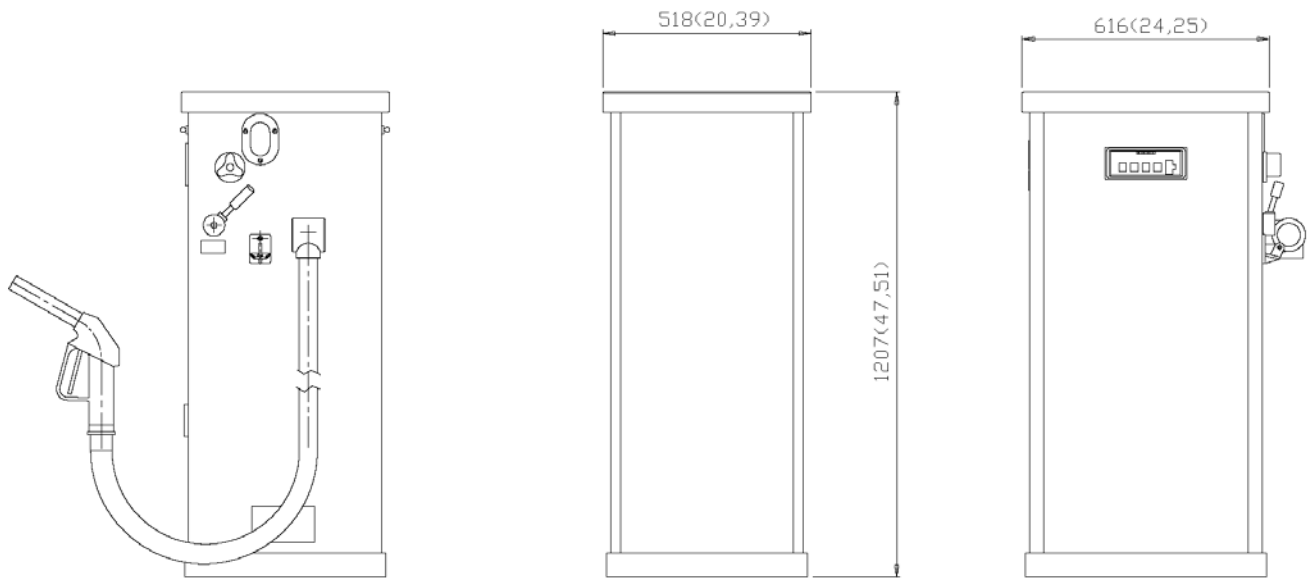
- Motor pump.
- Hose reel with manual rewind.
- Stainless Steel cabinet.
- Without lighting.
- Filter Separator (VF61SP).
- Nozzle mod. 980 A.D.AVIO
- Grounding Cable reel mod. GR75.
- Motor pump start-stop electric board.
- ATEX Ex II 2G execution.

Accessories

Code	REFUELLING DISPENSER ACCESSORIES
670201-7	HOSE REEL ELECTRICAL REWIND 220-380VAC
On Request	EXTRA BY-PASS TO CONTROL FLOW RATE FROM 20% TO 100% OF NOMINAL FLOW RATE
On Request	ELECTRIC LIGHTING ATEX Ex II 3 G (FOR HAZARDOUS ZONE 2)

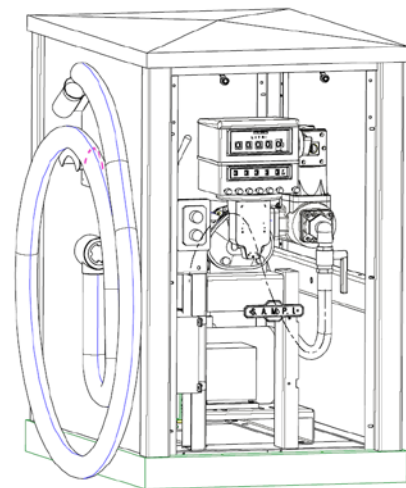
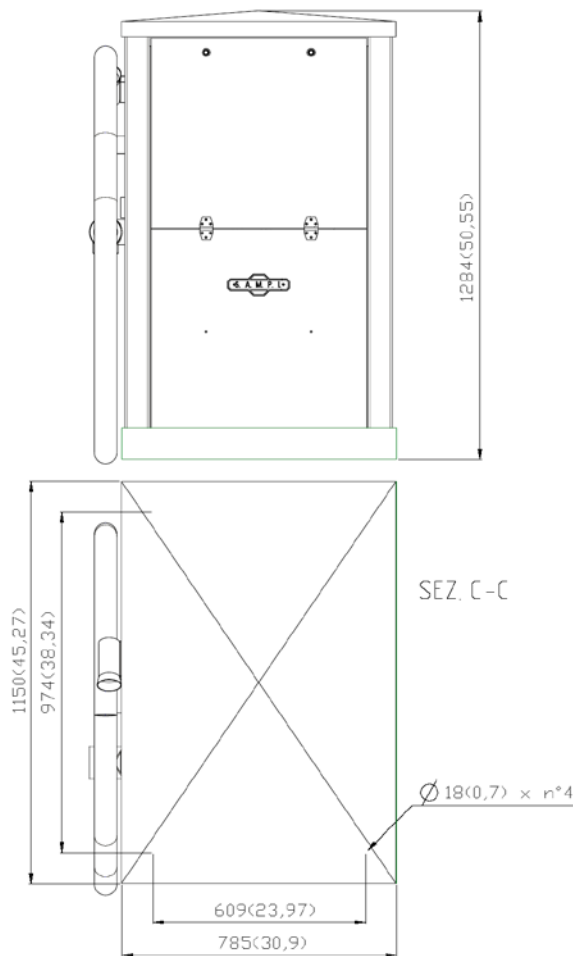
Code	REFUELLING DISPENSER FOR JETFUEL ACCESSORIES
550101	DIFFERENTIAL PRESSURE GAUGE GAMMON 534-15-A
670201-7	HOSE REEL ELECTRICAL REWIND 220-380VAC
550205	GROUNDING CABLE REEL HANNAY MOD. GR75 (CABLE MT 23)
910301	FILTER SEPARATOR VF-31-IS FLOW RATE 60 LT/MIN CARTRIDGE ACO21005B
910302	FILTER CARTRIDGE TYPE ACO-21001-K (KEROSENE) (FOR VF31)
9201021001	FILTER CARTRIDGE TYPE ACO-61401-C (KEROSENE) (FOR VF61)
9201061401	FILTER SEPARATOR AD-21025 (DIESEL) (FOR VF31)
9201021025	FILTER SEPARATOR AD-61425 (DIESEL) (FOR VF61)
9201061405	GROUNDING CABLE REEL HANNAY MOD. GR100 (CABLE MT 30)

Dimensions



DISPENSERS WITH MOTOR PUMP WITHOUT HOSE REEL	
CODE	DESCRIPTION
1900503	DISPENSER MA200-C

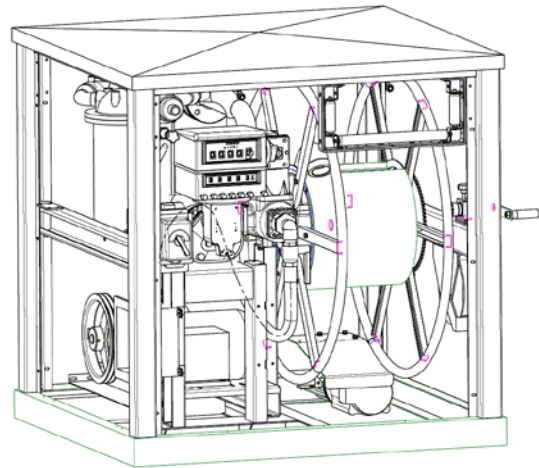
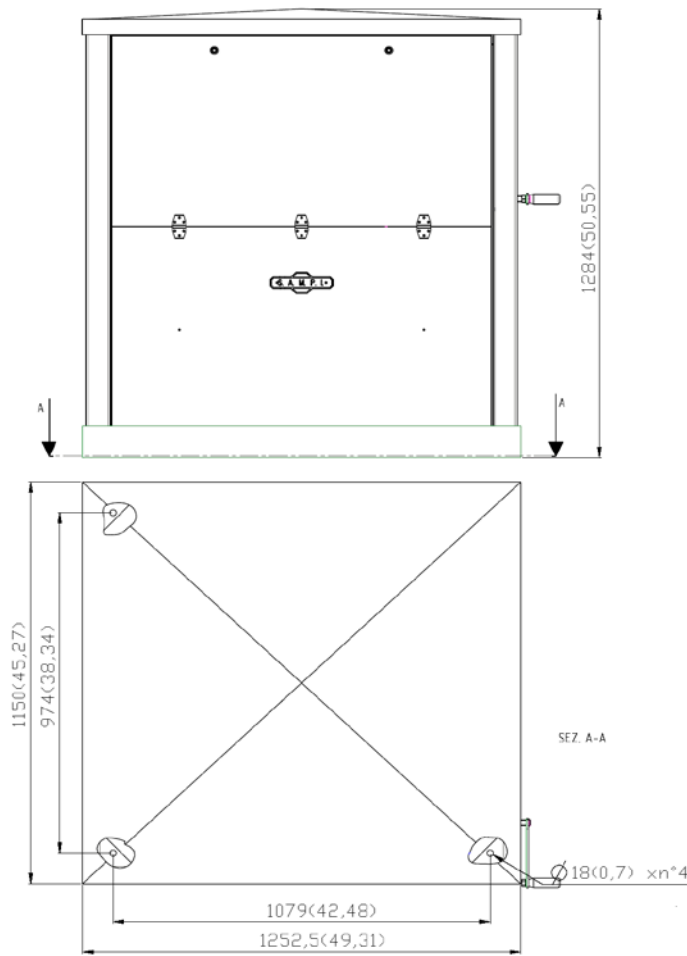
Note: All measures are in millimetres (inches)



DISPENSERS WITH MOTOR PUMP WITHOUT REEL	
CODE	DESCRIPTION
FD_20_C_00	DISPENSER MA-200-C
FD_20_K_00	DISPENSER MA-200-K
FD_30_C_00	DISPENSER MA-300-C
FD_30_K_00	DISPENSER MA-300-K
FD_50_C_00	DISPENSER MA-500-C
FD_50_K_00	DISPENSER MA-500-K

Note: All measures are in millimetres (inches)

Refuelling Dispensers



DISPENSERS FOR JETFUEL WITH MOTOR PUMP AND HOSE REEL	
CODE	DESCRIPTION
FD_20AVC00	DISPENSER MA-200-R-C AVIO
FD_20AVK00	DISPENSER MA-200-R-K AVIO
FD_30AVC00	DISPENSER MA-300-R-C AVIO
FD_30AVK00	DISPENSER MA-300-R-K AVIO

DISPENSERS WITHOUT MOTOR PUMP WITH HOSE REEL	
CODE	DESCRIPTION
FD_20SGC00	DISPENSER MA-200-SG-C
FD_20SGK00	DISPENSER MA-200-SG-K
FD_30SGC00	DISPENSER MA-300-SG-C
FD_30SGK00	DISPENSER MA-300-SG-K
FD_50SGC00	DISPENSER MA-500-SG-C
FD_50SGK00	DISPENSER MA-500-SG-K

DISPENSERS WITH MOTOR PUMP AND HOSE REEL	
CODE	DESCRIPTION
FD_20RC_00	DISPENSER MA-200-R-C
FD_20RK_00	DISPENSER MA-200-R-K
FD_30RC_00	DISPENSER MA-300-R-C
FD_30RK_00	DISPENSER MA-300-R-K
FD_50RC_00	DISPENSER MA-500-R-C
FD_50RK_00	DISPENSER MA-500-R-K

Note: All measures are in millimetres (inches)

CPM

The SAMPI/LCE CPM-s are complete truck pumping and metering systems, which can operate with PTO or hydraulic motors. These systems comprise a multi-way valve for loading/unloading modes. CPM systems are ideal where terminals are not provided with a pumping and/or metering system.

The main features are the following:

- Suction from tank, pumping and metered delivery (through the meter).
- Suction from tank, pumping and unmetered delivery (by-passing the meter).
- External suction, pumping and return into tank.
- Suction e pumping from/to external tank.
- Flow-rate regulation.



Model	l/min (Gpm)	Pump	Meter
CPM350	350 (92)	RVP25	M-7
CPM700	700 (185)	RVP30	M-15

The above-mentioned models are available with cabinet on request.

Dimensions

Model	Dimensions	L	W	H
CPM350	in	40,13	20,06	24,00
	mm	1020,00	510,00	610,00
CPM700	in	49,17	21,64	25,57
	mm	1250,00	550,00	650,00
Cabinet	in	51,14	25,57	26,95
	mm	1300,00	650,00	685,00

Pumping and Metering skids

SAMPI/LCE can produce metering and/or pumping skids on customer request. This configuration makes the installation easier and faster, optimizing the available room. A special transformation kit that permit to create a 4-wheeled version can be provided as well.



Main features:

- Two steerable and two fixed tyred wheels (optional)
- Handle (optional)
- Motor pumps
- Pump/meter hose
- Meter
- Meter support



Drums Refuellers

SAMPI/LCE produces 4-wheeled drums refuellers for solvents and industrial fluids, with fully automatic repeatable and variable preset of the quantity to be delivered thanks to the electronic register management of the outlet valve.

Main features:

- Max Flow rate 200 l/min (53 Gpm).
- TE500 electronic register.
- RVP20 Pump.
- SM-7/C6 Meter.
- Pneumatic nozzle mod. 980 with spout
- Electric Pneumatic valve VP7/ cl.6.
- Solenoid valves 220 Vac ATEX
- ATEX casing
- "T" type filter 2" for Solvent
- Gearbox.
- 4 poles motor EEx-d – ATEX 2HP.
- 1 trolley with 4 wheels containing all the equipment above.
- Mt. 10 Celloflex hose 14.100 GGR D.40 complete with couplings (outlet).
- Mt. 5 Celloflex hose 14.100 GGR D.50 complete with couplings (inlet).



Reels

SAMPI produces a wide set of reels for hoses and nozzle equipped hoses rewinds, provided with swivel joint to the inlet connection with fixed and flexible piping.



Main application:

- Terminals
- Refuellers (stationary or mobile)
- Trucks (also behind the cabin)

These reels mainly consist of:

- Hose reel.
- Reel preservation carter (for electric rewind system only).
- Swivel joint with coupling for product inlet.
- Frame (in painted iron).
- Hose slider.
- Hose rewinding system (electric or manual).
- Wheels (2 fixed and 2 revolving) in 4-wheeled versions.
- Inlet back check valve (for 4-wheeled version only).

Main accessories:

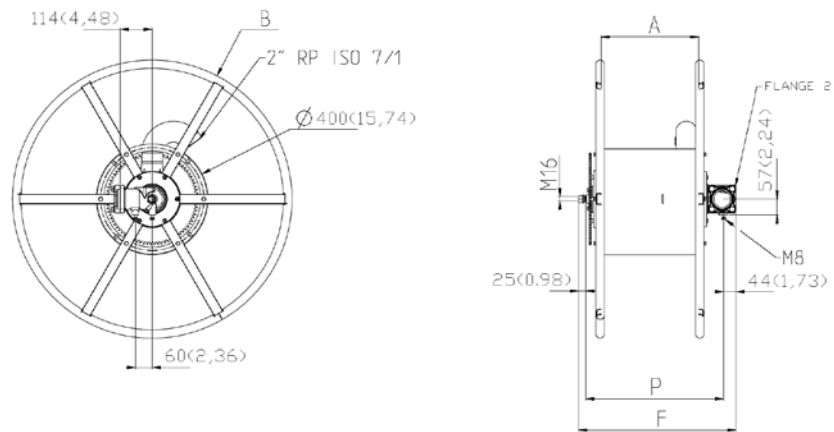
- Flexible Delivery hose.
- Base.
- 4-wheeled kit.
- Nozzle.
- End fittings.

Cabinet version is available.



Dimensions

Hose Reel

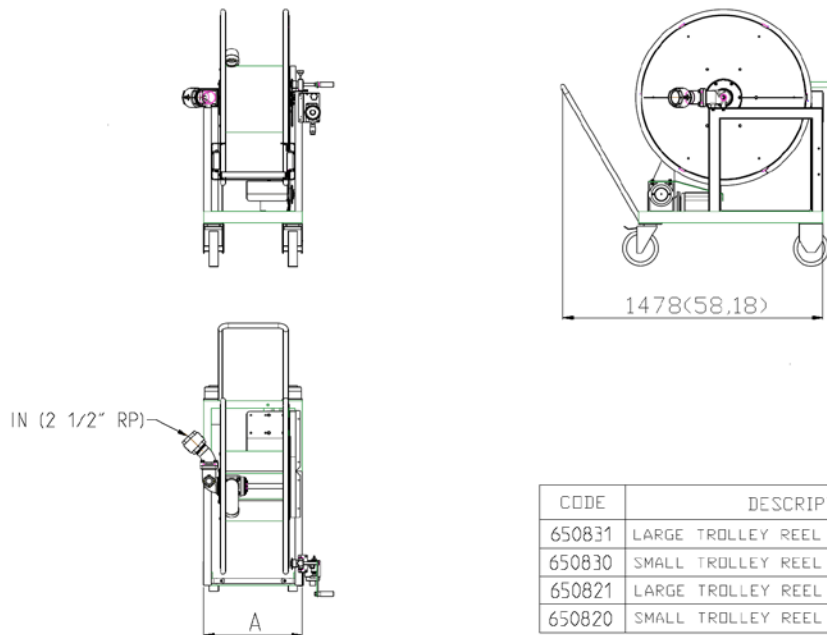


Note: All measures are in millimetres (inches)

Code	Dimensions	A	B	F	P
650105	in	13,73	39,34	22,16	19,45
	mm	349,00	1000,00	563,40	494,40
650107	in	5,19	39,34	13,63	10,91
	mm	132,00	1000,00	346,40	277,40
650108	in	7,20	39,34	15,63	12,92
	mm	183,00	1000,00	397,40	328,40
650109	in	9,21	39,34	17,64	14,93
	mm	234,00	1000,00	448,40	379,40
650115	in	22,97	39,34	31,41	28,69
	mm	584,00	1000,00	798,40	729,40
650204	in	7,20	47,21	15,63	12,92
	mm	183,00	1200,00	397,40	328,40
650205	in	9,21	47,21	17,64	14,93
	mm	234,00	1200,00	448,40	379,40
650206	in	5,19	47,21	13,63	10,91
	mm	132,00	1200,00	346,40	277,40
650305	in	5,19	55,07	13,63	10,91
	mm	132,00	1400,00	346,40	277,40
650306	in	7,20	55,07	15,63	12,92
	mm	183,00	1400,00	397,40	328,40
650307	in	9,21	55,07	17,64	14,93
	mm	234,00	1400,00	448,40	379,40
650308	in	13,73	55,07	22,16	19,45
	mm	349,00	1400,00	563,40	494,40
650401	in	13,73	25,57	22,16	19,45
	mm	349,00	650,00	563,40	494,40
650402	in	22,97	25,57	31,41	28,69
	mm	584,00	650,00	798,40	729,40
650403	in	34,78	25,57	43,21	40,50
	mm	884,00	650,00	1098,40	1029,40
650504	in	34,78	31,47	43,21	40,50
	mm	884,00	800,00	1098,40	1029,40
650516	in	9,21	31,47	17,64	14,93
	mm	234,00	800,00	448,40	379,40
650603	in	22,97	31,47	31,41	28,69
	mm	584,00	800,00	798,40	729,40
650608	in	13,73	31,47	22,16	19,45
	mm	349,00	800,00	563,40	494,40

Reels

Trolley/base Hose Reel

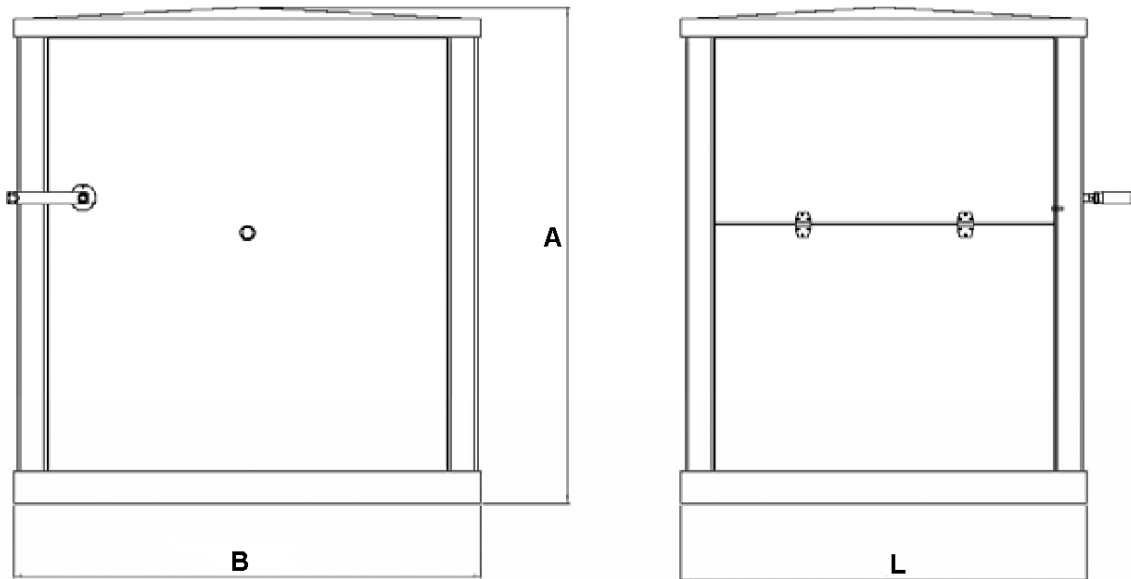


CODE	DESCRIPTION	A	REEL
650831	LARGE TROLLEY REEL (ELECTRIC REW.)	795(31,30)	650115
650830	SMALL TROLLEY REEL (ELECTRIC REW.)	560(22,04)	650105
650821	LARGE TROLLEY REEL (MANUAL REW.)	795(31,30)	650115
650820	SMALL TROLLEY REEL (MANUAL REW.)	560(22,04)	650105

d.-Ø.HOSE COD. REEL	Max. Length in meters (feet) depending on hose type [d.int-Ø.ext]- mm(in)			
	32-45 (1 1/4")	40-54 (1 1/2")	45-59 (1 3/4")	50-64 (2")
650105	95 (311,68)	65 (231,25)	55 (180,45)	45 (147,64)
650115	150 (492,12)	100 (328,08)	80 (262,46)	60 (196,84)

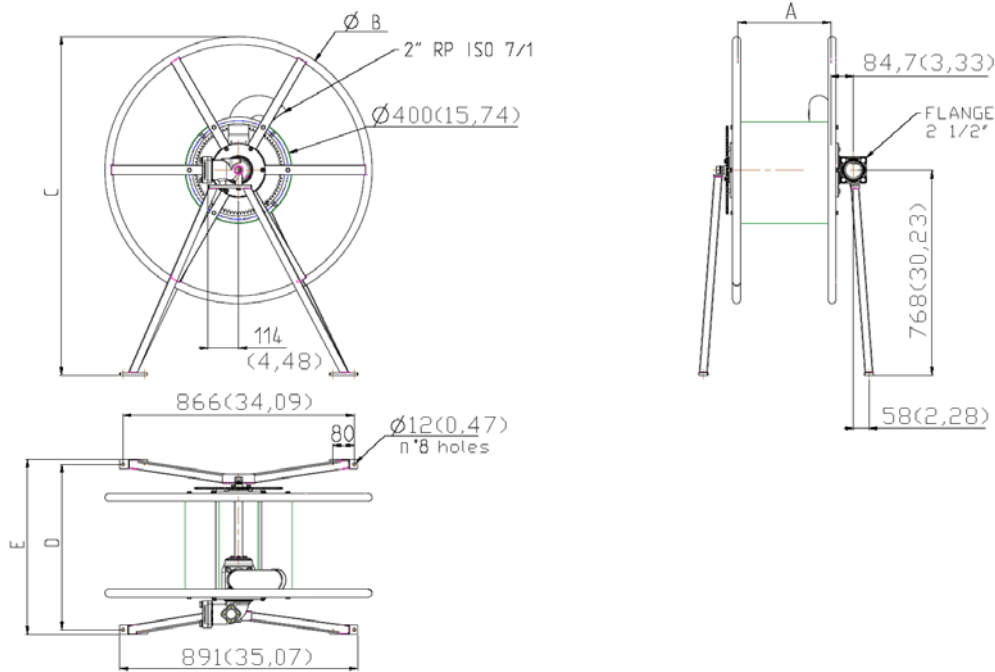
Note: All measures are in millimetres (inches)

Cabinet Hose Reel



Model	Dimensions	A	B	L
Small Hose Reel with Cabinet (electric	in	49,65	45,24	30,09
rewinding)	mm	1262,00	1150,00	765,00
Small Hose Reel with Cabinet (handle	in	49,65	45,24	30,09
rewinding)	mm	1262,00	1150,00	765,00
Large Hose Reel with Cabinet (electric	in	49,65	45,24	39,34
rewinding)	mm	1262,00	1150,00	1000,00
Large Hose Reel with Cabinet (handle	in	49,65	45,24	39,34
rewinding)	mm	1262,00	1150,00	1000,00

Truck Hose Reel



Note: All measures are in millimetres (inches)

Code	Dimensions	ø ext. circle	Width	A	B	C	D	E	Max length in metres (feet) depending on hose type				
									ø in-ext. mm (in)	32-45 (1 1/4")	40-54 (1 1/2")	45-59 (1 3/4")	50-64 (2")
650411	in	25,57	23,60	13,65	25,57	43,00	24,35	25,73	ft	82,02	65,62	49,21	32,81
	mm	650,00	600,00	347,00	650,00	1093,00	619,00	654,00	m	25,00	20,00	15,00	10,00
650412	in	25,57	31,47	22,90	25,57	43,00	33,60	34,97	ft	147,64	98,42	82,02	65,62
	mm	650,00	800,00	582,00	650,00	1093,00	854,00	889,00	m	45,00	30,00	25,00	20,00
650413	in	25,57	43,27	34,70	25,57	43,00	45,40	46,77	ft	229,66	147,64	147,64	98,42
	mm	650,00	1100,00	882,00	650,00	1093,00	1154,00	1189,00	m	70,00	45,00	45,00	30,00
650515	in	31,47	17,70	9,13	31,47	45,95	19,83	21,20	ft	131,23	82,02	65,62	49,21
	mm	800,00	450,00	232,00	800,00	1168,00	504,00	539,00	m	40,00	25,00	20,00	15,00
650512	in	31,47	23,60	13,65	31,47	45,95	24,35	25,73	ft	180,45	114,83	98,42	82,02
	mm	800,00	600,00	347,00	800,00	1168,00	619,00	654,00	m	55,00	35,00	30,00	25,00
650513	in	31,47	31,47	22,90	31,47	45,95	33,60	34,97	ft	311,68	213,25	180,45	131,23
	mm	800,00	800,00	582,00	800,00	1168,00	854,00	889,00	m	95,00	65,00	55,00	40,00
650514	in	31,47	43,27	34,70	31,47	45,95	45,40	46,77	ft	459,32	311,68	295,27	229,66
	mm	800,00	1100,00	882,00	800,00	1168,00	1154,00	1189,00	m	140,00	95,00	90,00	70,00
650101	in	39,34	13,77	5,11	39,34	49,88	15,81	17,19	ft	147,64	65,62	65,62	49,21
	mm	1000,00	350,00	130,00	1000,00	1268,00	402,00	437,00	m	45,00	20,00	20,00	15,00
650102	in	39,34	15,74	7,12	39,34	49,88	17,82	19,20	ft	196,85	114,83	98,42	65,62
	mm	1000,00	400,00	181,00	1000,00	1268,00	453,00	488,00	m	60,00	35,00	30,00	20,00
650103	in	39,34	17,70	9,13	39,34	49,88	19,83	21,20	ft	246,06	147,64	114,83	82,02
	mm	1000,00	450,00	232,00	1000,00	1268,00	504,00	539,00	m	75,00	45,00	35,00	25,00
650110	in	39,34	23,60	13,65	39,34	49,88	24,35	25,73	ft	311,68	213,25	180,45	147,64
	mm	1000,00	600,00	347,00	1000,00	1268,00	619,00	654,00	m	95,00	65,00	55,00	45,00
650114	in	39,34	31,47	22,90	39,34	49,88	33,60	34,97	ft	492,12	328,08	295,27	196,85
	mm	1000,00	800,00	582,00	1000,00	1268,00	854,00	889,00	m	150,00	100,00	90,00	60,00
650201	in	47,21	13,77	5,11	47,21	53,82	15,81	17,19	ft	131,23	114,83	114,83	98,42
	mm	1200,00	350,00	130,00	1200,00	1368,00	402,00	437,00	m	40,00	35,00	35,00	30,00
650202	in	47,21	15,74	7,12	47,21	53,82	17,82	19,20	ft	278,87	164,04	164,04	98,42
	mm	1200,00	400,00	181,00	1200,00	1368,00	453,00	488,00	m	85,00	50,00	50,00	30,00
650203	in	47,21	17,70	9,13	47,21	53,82	19,83	21,20	ft	328,08	213,25	164,04	131,23
	mm	1200,00	450,00	232,00	1200,00	1368,00	504,00	539,00	m	100,00	65,00	50,00	40,00
650301	in	55,07	13,77	5,11	55,07	57,75	15,81	17,19	ft	213,25	164,04	164,04	131,23
	mm	1400,00	350,00	130,00	1400,00	1468,00	402,00	437,00	m	65,00	50,00	50,00	40,00
650302	in	55,07	15,74	7,12	55,07	57,75	17,82	19,20	ft	426,51	229,66	229,66	147,64
	mm	1400,00	400,00	181,00	1400,00	1468,00	453,00	488,00	m	130,00	70,00	70,00	45,00
650303	in	55,07	17,70	9,13	55,07	57,75	19,83	21,20	ft	492,12	328,08	246,06	180,45
	mm	1400,00	450,00	232,00	1400,00	1468,00	504,00	539,00	m	150,00	100,00	75,00	55,00
650304	in	55,07	23,60	13,65	55,07	57,75	24,35	25,73	ft	721,78	524,93	360,89	311,68
	mm	1400,00	600,00	347,00	1400,00	1468,00	619,00	654,00	m	220,00	160,00	110,00	95,00



IDEX Fluid & Metering Businesses

S.A.M.P.I. S.p.A.
Via A. Vespucci, 1 - 55011
Altopascio (Lucca) - Italy
Tel.: +39 0583 24751 Fax: +39 0583 264748
www.sampi.it